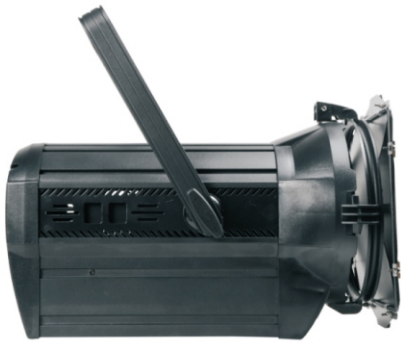


Building B, Langling Industry Park, DS Road, Huadu District, Guangzhou
Tel: 86 20 86432439 Fax: 86 20 36880919
Homepage: www.vangaa.com, Email: info@vangaa.com



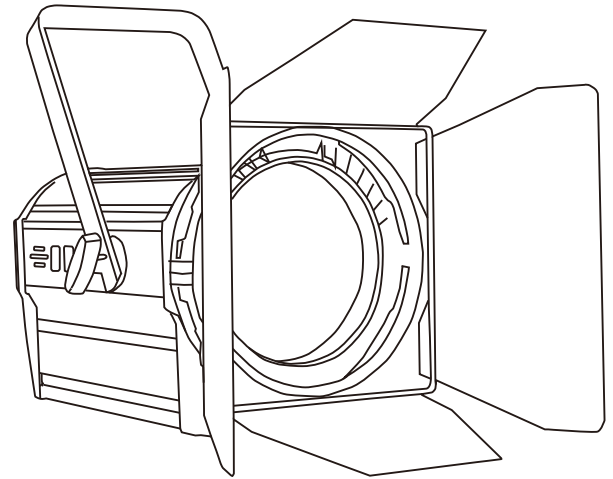
VG-PB400W-C Bicolor LED TV Studio Fresnel Continuous Light

• This television projector light equips high power 400W bicolor LED lamps as the light source, it's energy saving. And it uses high efficiency optical lens, light soft. It's a best choice for film and television performances, studio and other places.



Features

- The internal adopts full copper radiator large area, good heat dissipation, ensure the lifespan of the LED Lamps;
- Through efficient optical lenses, with special heat dissipation design, make the light is downy, small stray light, no glare, eyes more comfortable;
- Use the LED video projector scheme, the light energy saving 80%;
- Because of almost no infrared radiation, it has greatly improve work environment.



Technical Specification

Light Source

- LED: 1pc 400W COB LED Lamps, every color 200W
- Lifespan: 500,000h
- Color: 3200-5600K, warm white to cold white

Optics

- Beam angle: 15-60degree
- Dimmer: 0-100% linear dimmer

Light Output

- Optimal projection distance: 5-30m

Control

- Control mode: DMX-512; Auto run
- DMX channel: 4CH, 5CH
- Display of control panel: LCD display+4 buttons

Power Supply

- Related voltage: AC100V-240V, 50/60Hz
- Related power: 250W
- Output power: 3200-5600K keep 200W(default); 3200-5600K keep 200W, 4500K 300W(optional)

Construction

- Body dimension: D384*W251*H261mm
- Net weight: 7kg
- Shell color: black
- Shell material: aluminium die casting

Working Environment

- Working temperature: -25-40?
- Cooling: Radiator and Fan
- Protection rating: IP20

Standard Configuration Spare Part List

- Cable: 1pc 3-pin DMX cable, 1pc power cable with plug (America standard, Euro standard, or other standard)
- User manual: English version user manual

Optional Configuration Spare Parts List

- Clamps: different style clamps optional (choose from VanGaa homepage "Accessories series")
- Safety rope: different size safety ropes optional (choose from VanGaa homepage "Accessories series")

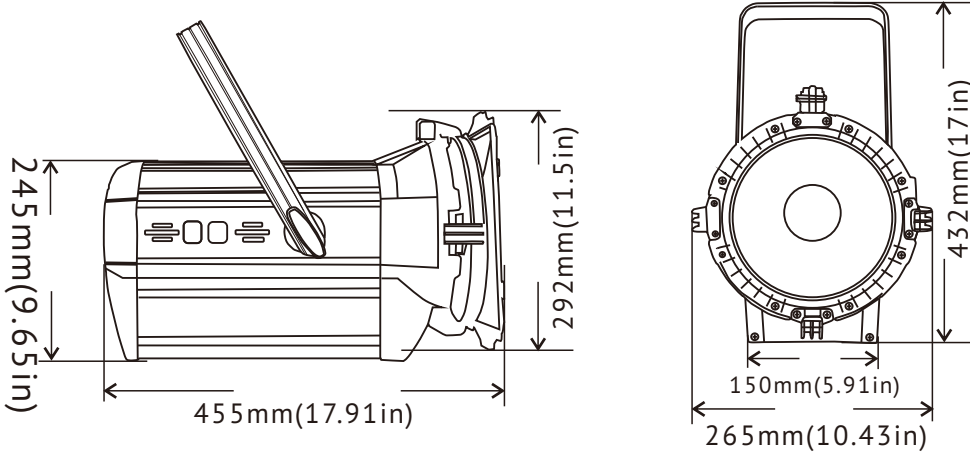
Package

- Carton board package size: 510*320*370mm(1pc/carton)
- N.W/G.W/V.W: 4.8kg/6kg/13kg
- Flight case package size: 745*640*650(4pcs/flight case)
- Net weight of flight case: 30kg
- N.W/G.W/V.W: 24kg/54kg/63kg
- Flight case package size: 1100*640*650(6pcs/flight case)
- Net weight of flight case: 34kg
- N.W/G.W/V.W: 36kg/70kg/92kg

Selling Maintain Spare Parts List

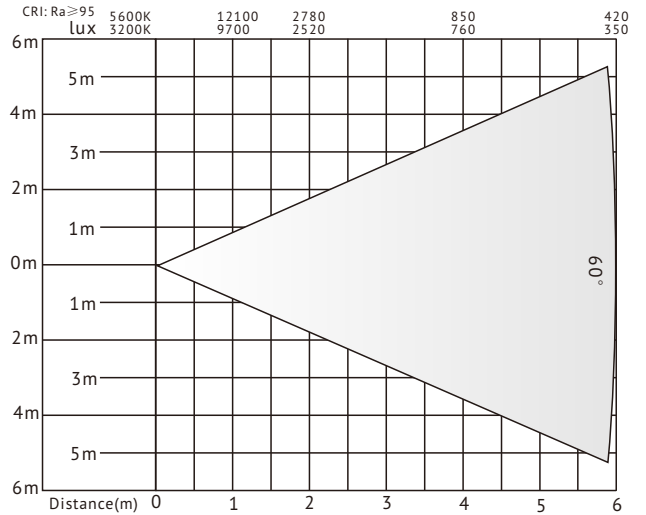
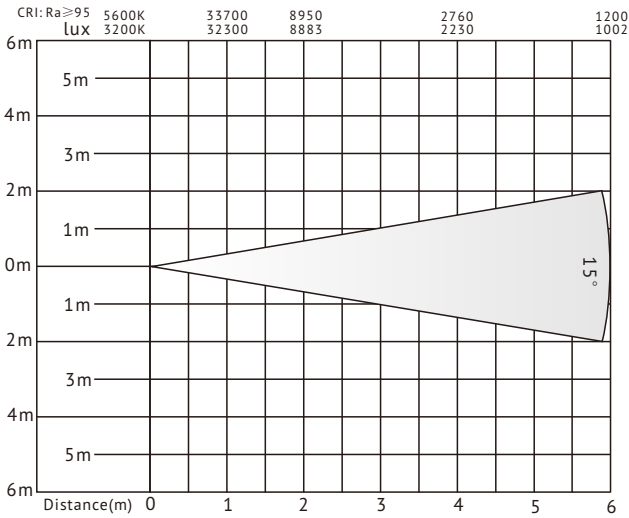
- Switching power supply: VG-PB400W-C-P
- LED lamp board: VG-PB400W-C-L
- Main board: VG-PB400W-C-M
- Drive board: VG-PB400W-C-D

Dimension



7kg

Illuminance



DMX Channel Chart

4CH	1	2	3	4
%	General Dimmer	Fixed Color Temp.	WW Dimmer	CW Dimmer
100% 255				
0% 0				

5CH	1	2	3	4	5
%	General Dimmer	Fixed Color Temp.	WW Dimmer	CW Dimmer	Strobe
100% 255					
0% 0					